

**THORN**  
LIGHTING



# DIFFUSALUX

Simplicity taken to a new level



# STYLISH, HIGH-PERFORMANCE REPLACEMENT FOR CONVENTIONAL BATTENS

## IDEAL FOR REFURBISHMENT

Diffusalux is designed to work as a direct replacement for conventional battens. Its wide body design makes it ideal for refurbishment projects – with no need for paint to be touched up after installation.

The luminaire's curved opal diffuser is made from tough polycarbonate, and provides quality light control. The internal diffuser features a distinctive ridged pattern that ensures soft, uniform illumination.

Diffusalux is a robust fitting, sealed to IP40 and with lockable polycarbonate end caps.

## CONFIGURE LIGHT OUTPUT ON-SITE

Diffusalux can provide up to three different lumen packages. A lumen output switch (LOS) allows easy configuration of the output level on-site – simply select the right option for your project before installing.

The luminaire is dimmable and can be equipped with presence detection sensors.

## VERSATILE MOUNTING OPTIONS

Diffusalux is suitable for horizontal or vertical mounting – so you can use it to replace fittings on both ceilings and walls.

## APPLICATIONS



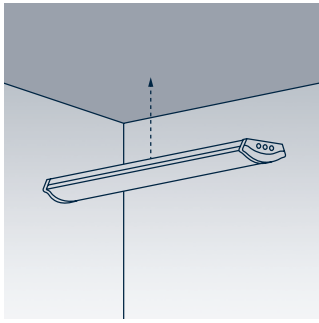
CORRIDOR &  
STAIRCASES



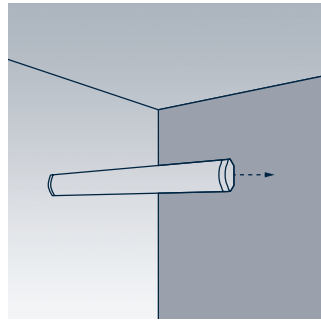
ANCILLARY  
SPACES

## MOUNTING VERSATILITY

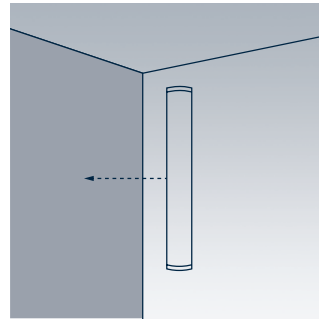
## PRESENCE DETECTION AREA



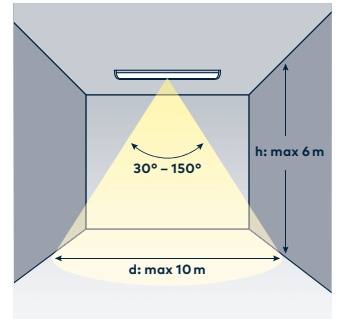
CEILING-MOUNT



HORIZONTAL WALL-MOUNT

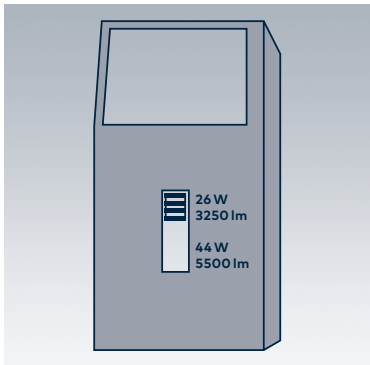


VERTICAL WALL-MOUNT

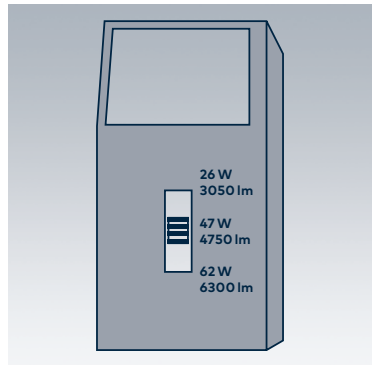


## VARIABLE LUMEN OUTPUT SWITCH (LOS)

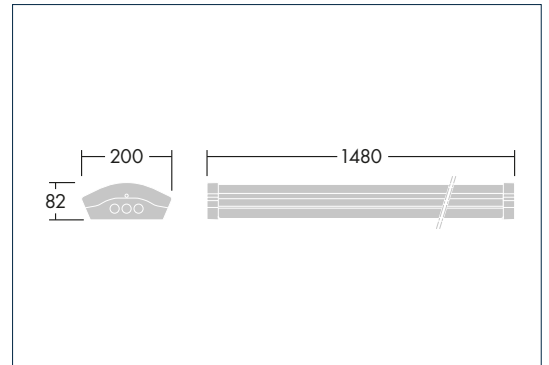
## DIMENSIONS



SELECT WATTAGE / LUMEN OUTPUT WITH DALI OPTION (HFIX)



SELECT WATTAGE / LUMEN OUTPUT WITH ON/OFF OPTION (HF)



# TECHNICAL DATA



### MATERIALS AND FINISH

- Body and gear: white steel body
- End caps: polycarbonate
- Diffuser: opal polycarbonate extrusion

### INSTALLATION AND MAINTENANCE

- Surface-mounted (screws included)
- Cable entry in the center of the back spine (Ø 21.5 mm)
- Standard BESA fixings, piano key terminal block for easy installation

### CONTROLS

- Lumen output switch (LOS) for individual control of wattage/lumen output
- Available as DALI controllable (HFIX)
- Presence detection sensor (MWS)
- Available as emergency option (E3)



Up to 124lm/W



4000K



80



Lumen output switchable  
HF: 3050 lm / 4750 lm / 6300 lm  
HFIX: 3250 lm / 5500 lm



< 22



IP40



E3



Switchable (LOS), DALI (HFIX)



50000h L70



IK06



# GET IN TOUCH

[www.thornlighting.com/DFX3](http://www.thornlighting.com/DFX3) [www.thornlighting.com/contacts](http://www.thornlighting.com/contacts)



**5 YEAR  
GUARANTEE**

As a globally leading luminaire manufacturer, Thorn Lighting provides a five-year warranty for its complete product range within all European Countries.  
[thornlighting.com/guarantee](http://thornlighting.com/guarantee)

Thorn Lighting is constantly developing and improving its products. All descriptions, illustrations, drawings and specifications in this publication present only general particulars and shall not form part of any contract. The right is reserved to change specifications without prior notification or public announcement. All goods supplied by the company are supplied subject to the company's General Conditions of Sale, a copy of which is available on request. All measurements are in millimetres and weights in kilograms unless otherwise stated.  
03/2021 (INT)

**WE  
MAKE  
LIGHT  
WORK**