

UK Installation instructions

FI Asennusohje

LV Instalācijas instrukcija

DE Montageanleitung

FR Notice de montage

NO Monteringsanvisning

CZ Montážní návod

HU Szerelési útmutató

PL Instrukcja montażu

DK Monteringsvejledning

IT Istruzioni di montaggio

SE Installationsanvisning

EE Paigaldusjuhend

LT Montavimo Instrukcijos

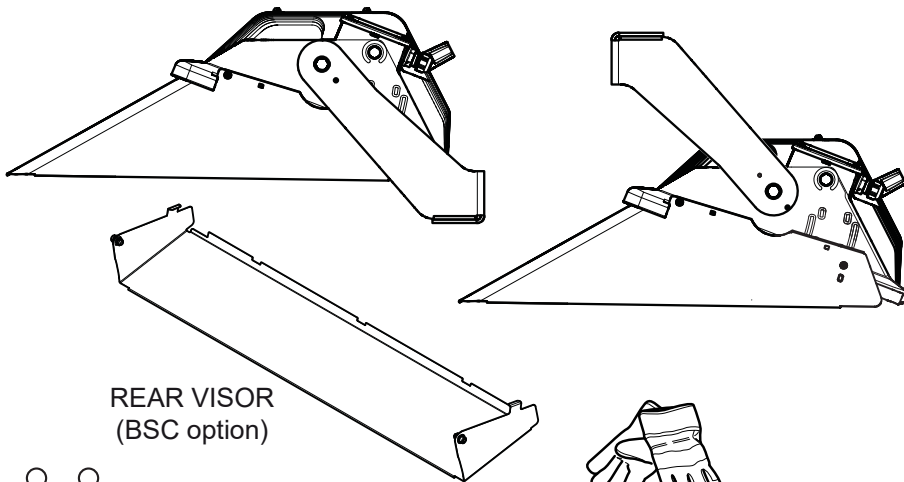
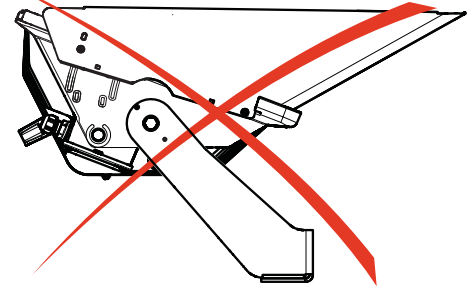
RU ИНСТРУКЦИЯ ПО МОНТАЖУ

TYPE : CHAMPION LED

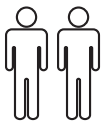


The luminaire with clear optic should be positioned so that prolonged staring into the luminaire at a distance <2m is not expected

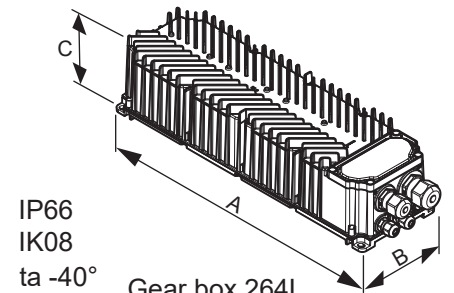
Caution, risk of electric shock
Danger, risque de chocs électriques



REAR VISOR
(BSC option)



LED



IP66

IK08

ta -40°

ta +45°

Gear box 264L

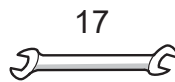
Gear box	A	B	C	(kg)
264L	500	150	120	5.4

CLASS I

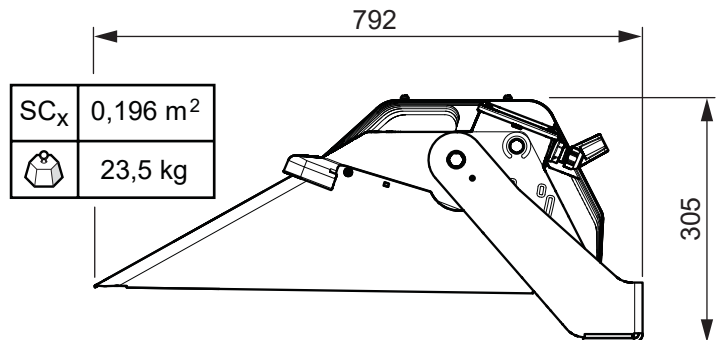
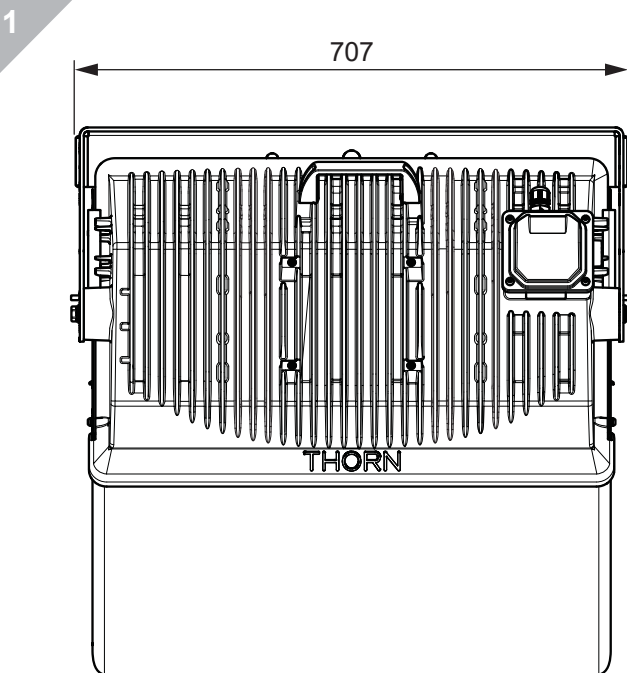
IP66

IK08

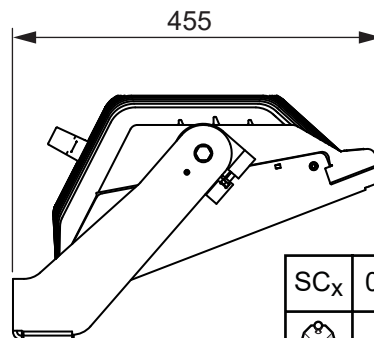
CE



T25



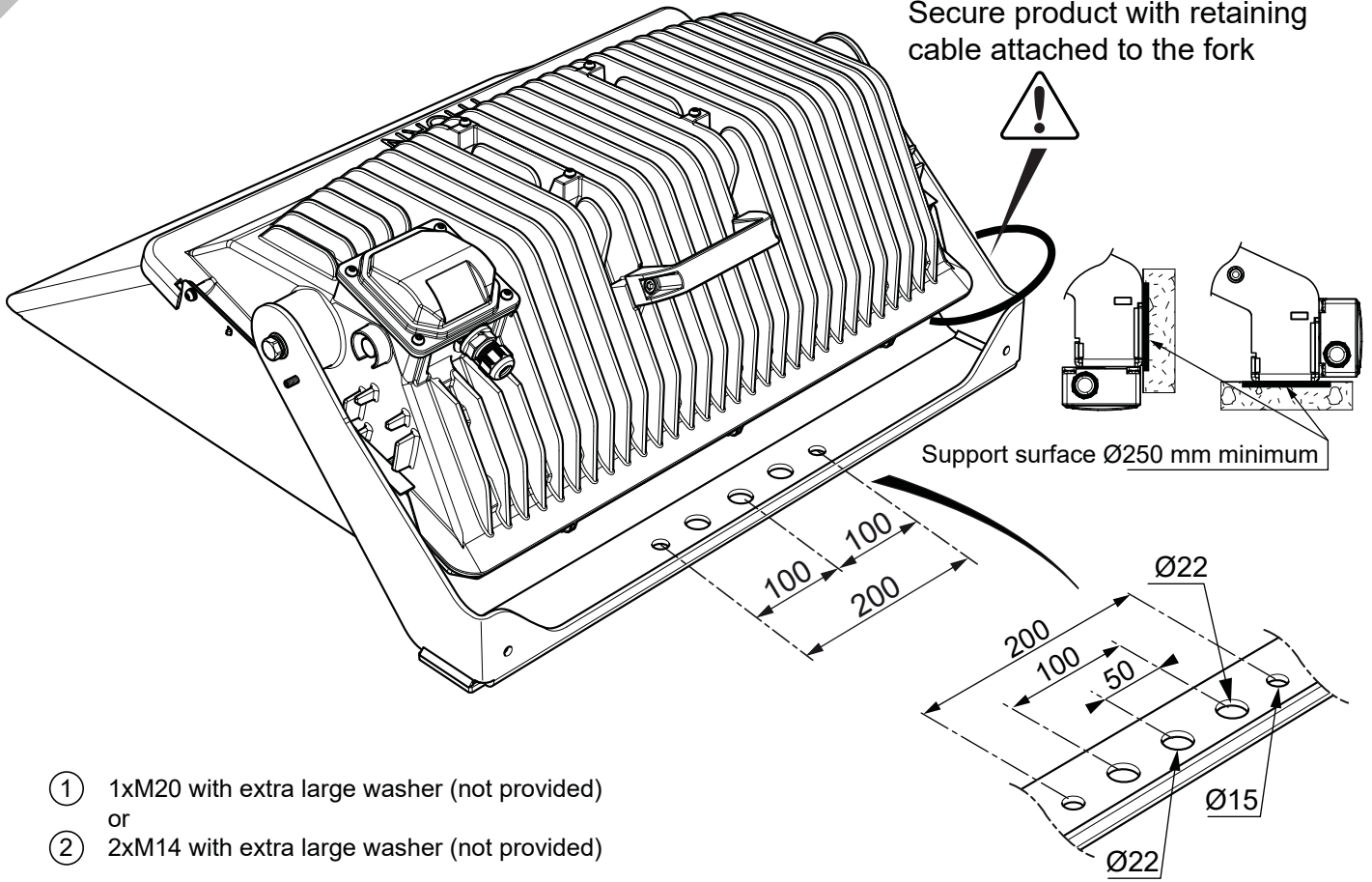
SC _x	0,196 m ²
	23,5 kg



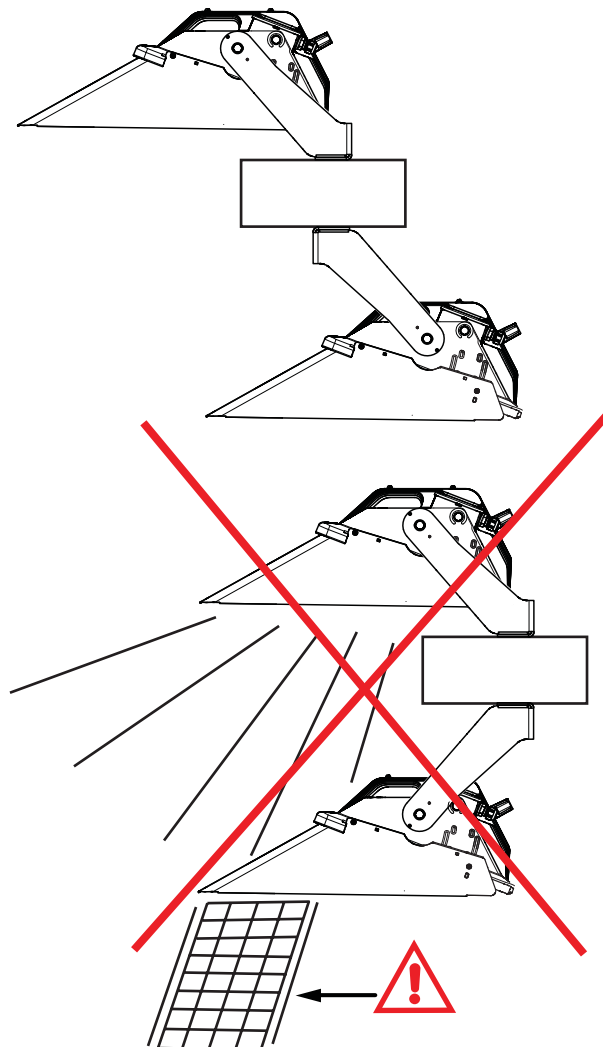
SC _x	0,158 m ²
	22,4 kg

2

For installation higher >3m
Secure product with retaining
cable attached to the fork

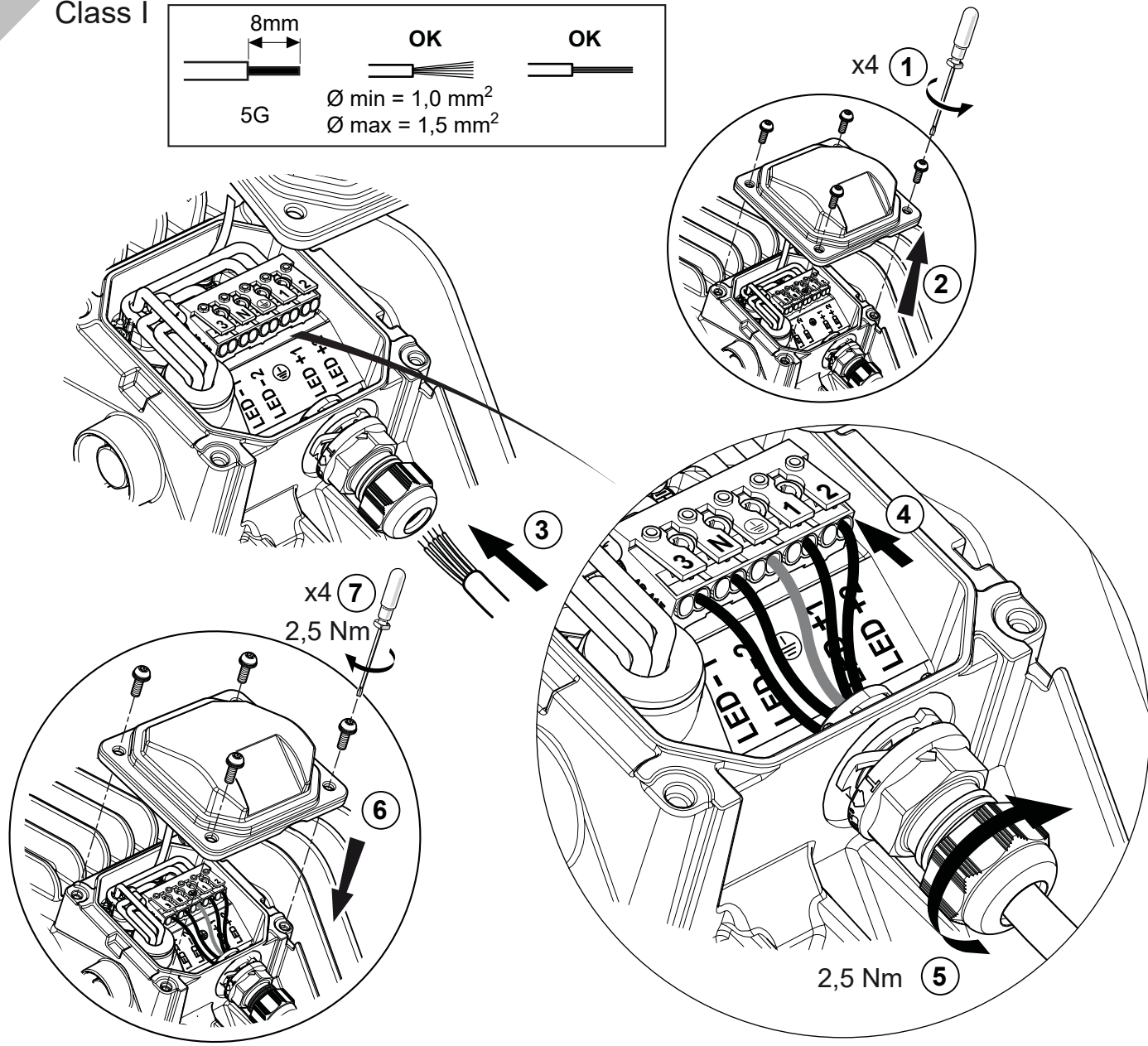
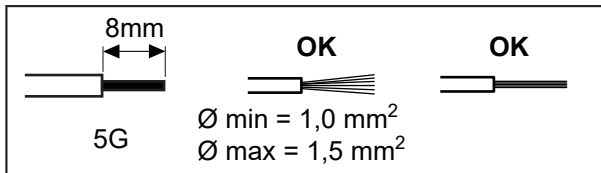


3

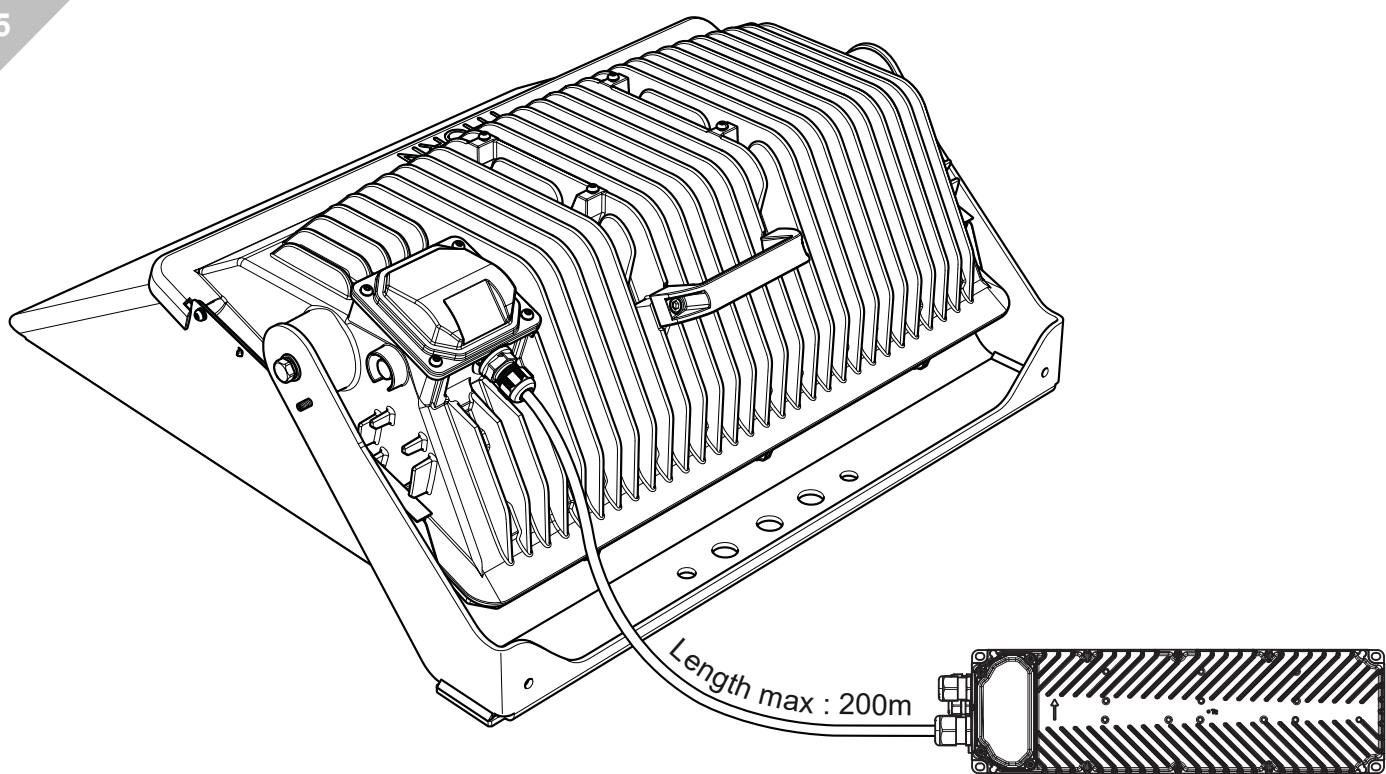


4

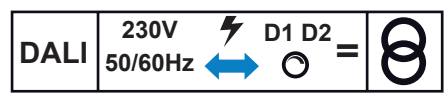
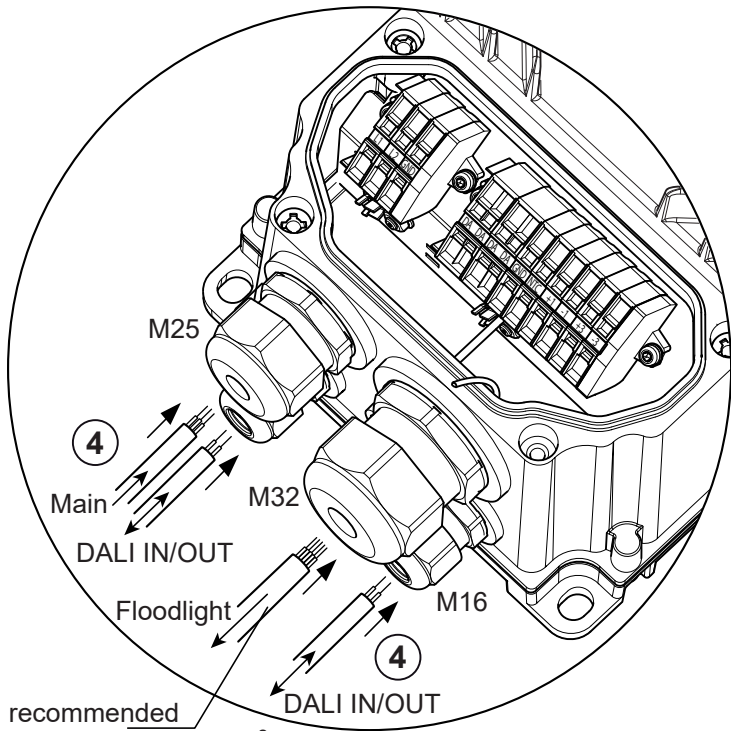
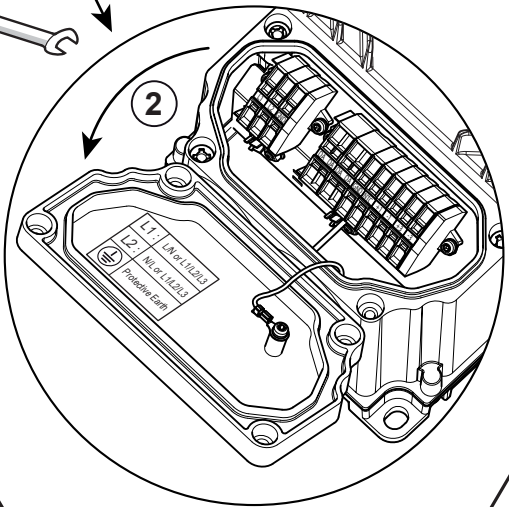
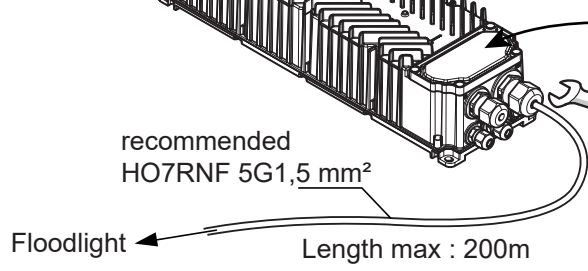
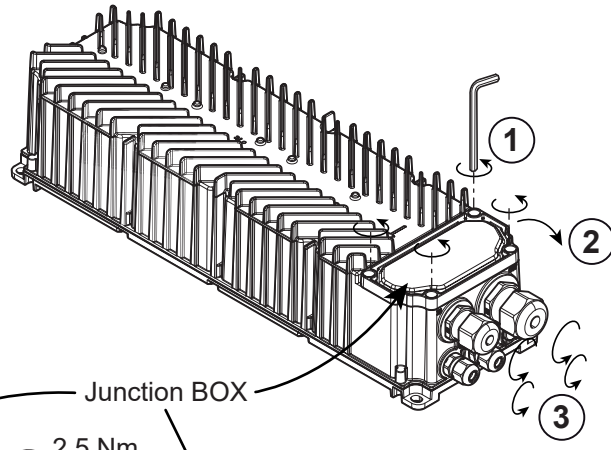
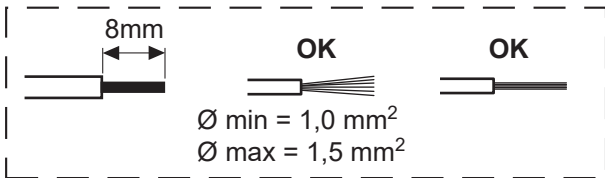
Class I



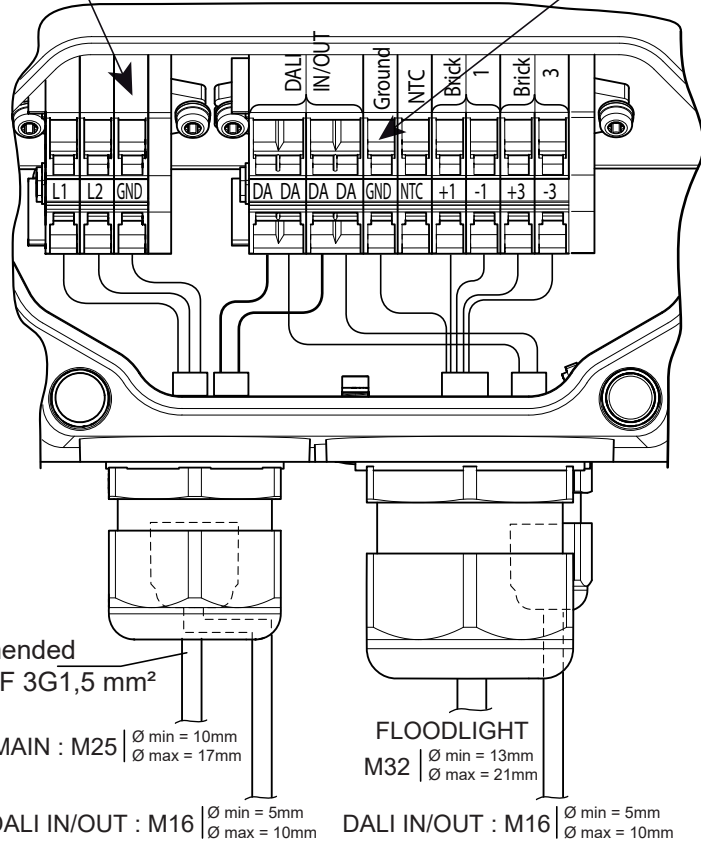
5



6 CHAMPION 264L / ELECTRICAL CONNECTION / DALI

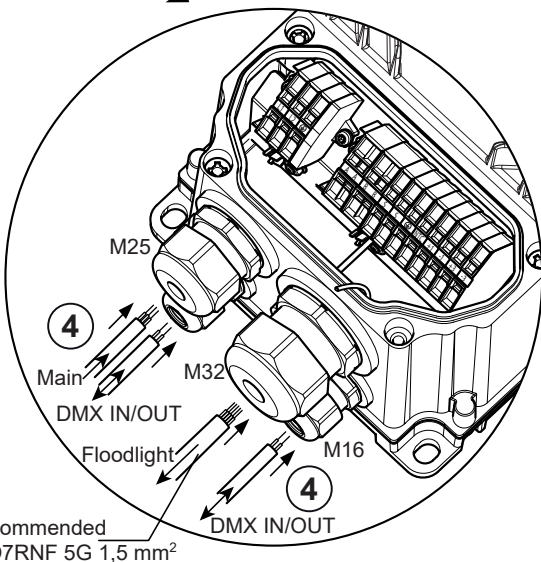
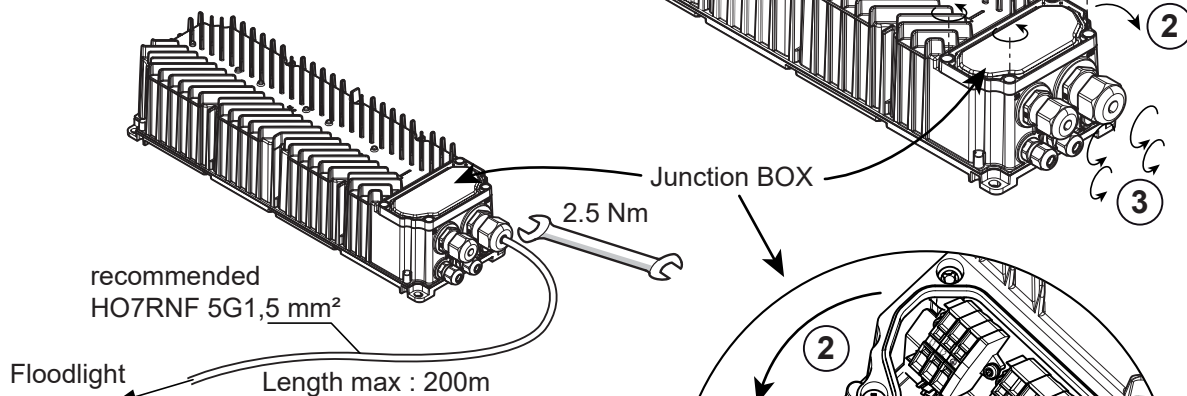
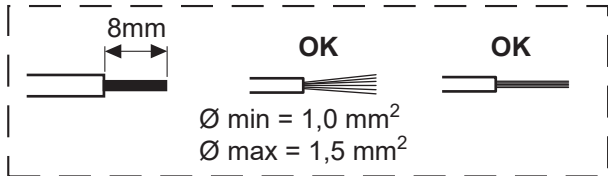


recommended HO7RNF 5G 1,5 mm²



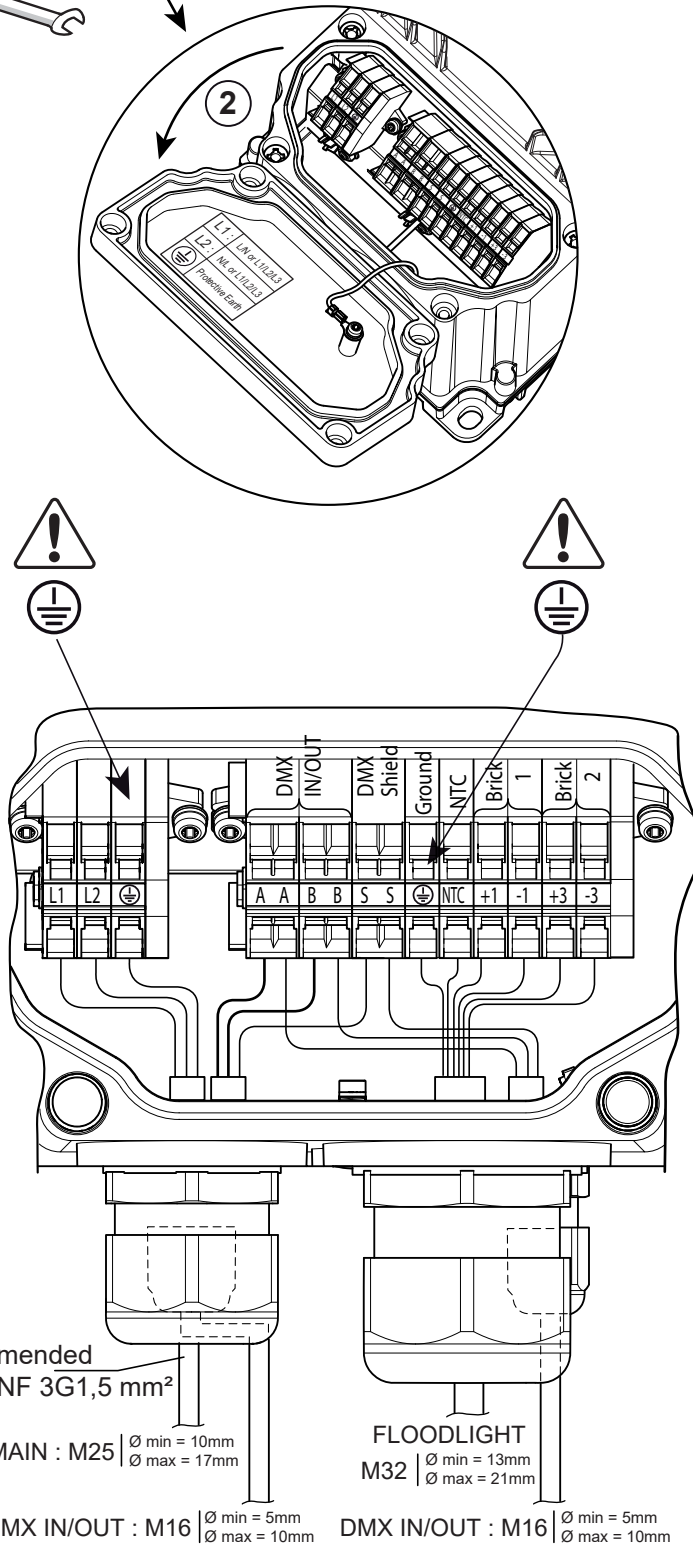
PINOUT		
Number	Label	Description
1	L1	L/N or L1/L2/L3
2	L2	N/L or L1/L2/L3
3	⊕	Protective Earth
4	A	DALI A input/relaunch
5	A	DALI A input/relaunch
6	B	DALI B input/relaunch
7	B	DALI B input/relaunch
8	⊕	Protective Earth
9	NTC	Thermal measure input
10	+1	LED1+ connection
11	-1	LED1- connection
12	+3	LED3+ connection
13	-3	LED3- connection

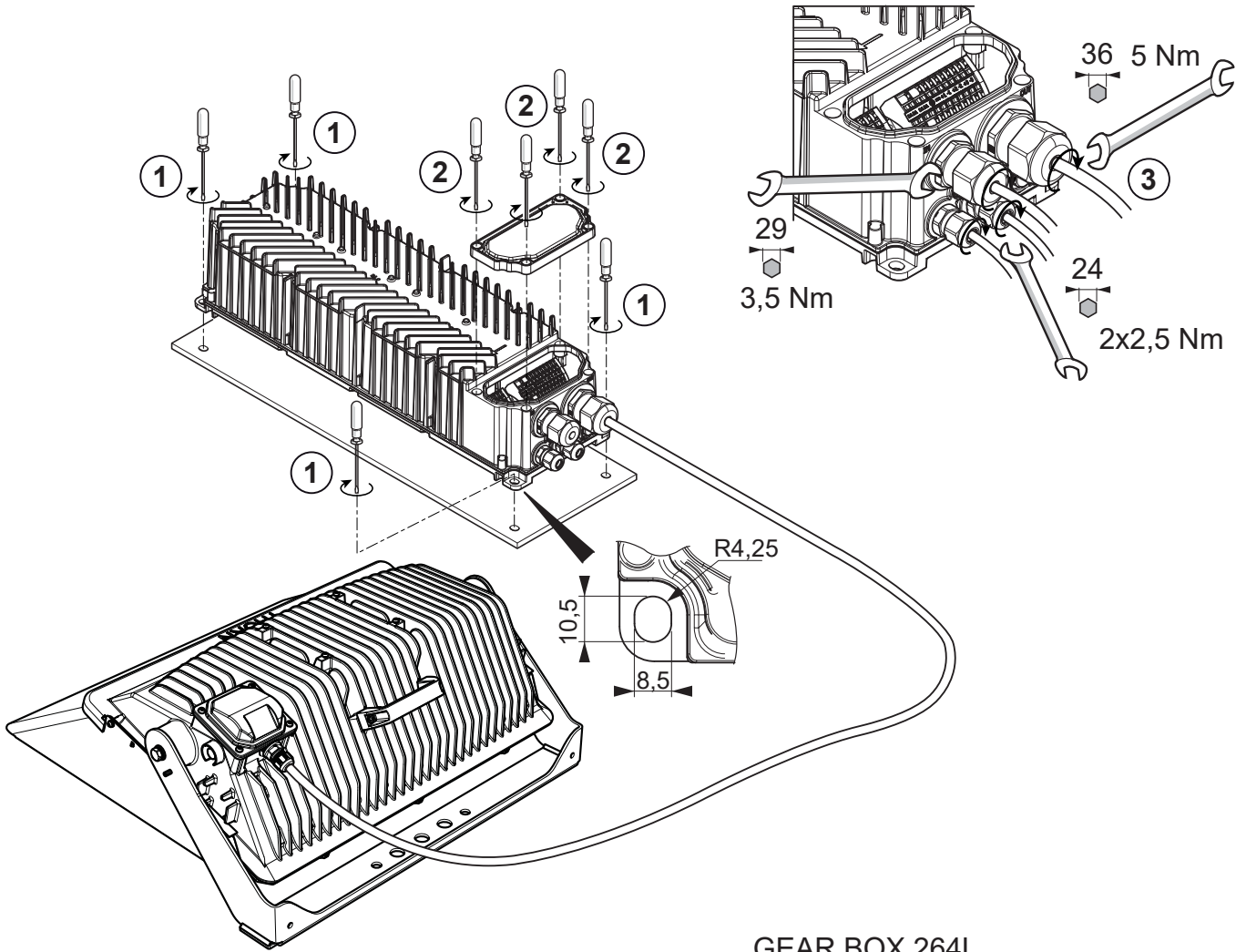
7 CHAMPION 264L / ELECTRICAL CONNECTION / RDM-DMX



SIGNALLING LED INDICATIONS ON THE GEAR BOX			
PERIOD	PULSES	FAULT DESCRIPTION	PRIORITY
The encoded faults are based on pulses emitted every 4 seconds	1	One or more CCR module enabled by config are not communicating with logic board	Maximum ↑ Minimum
	5	Firmware version of one or more CCR module is not compatible with logic board firmware version	
	2	One or more CCR's output is short-circuited	
	3	Load failure on one or more CCR's output	
	4	Thermal derating active (output current reduction)	

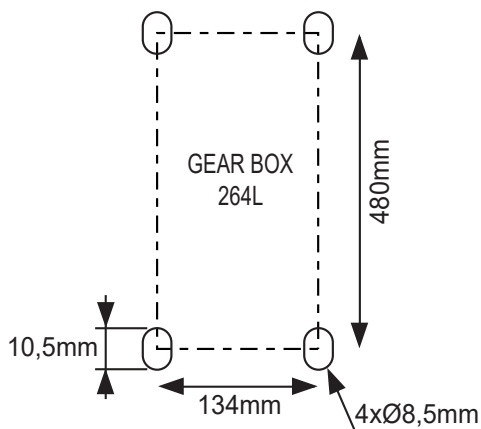
PINOUT		
Number	Label	Description
1	L1	L/N or L1/L2/L3
2	L2	N/L or L1/L2/L3
3	⊕	Protective Earth
4	A	DMX A input/relaunch
5	A	DMX A input/relaunch
6	B	DMX B input/relaunch
7	B	DMX B input/relaunch
8	S	DMX shield
9	S	DMX shield
10	⊕	Protective Earth
11	NTC	Thermal measure input
12	+1	LED1+ connection
13	-1	LED1- connection
14	+3	LED3+ connection
15	-3	LED3- connection





GEAR BOX 264L

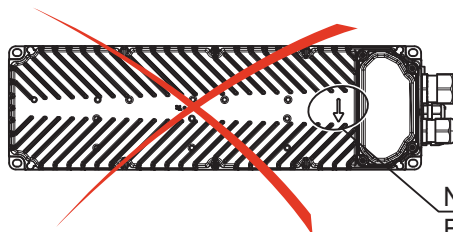
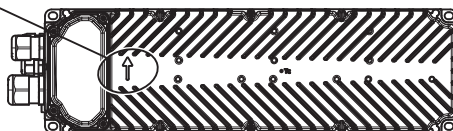
Drilling recommendation:



HORIZONTAL

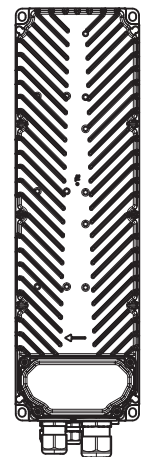


LATERAL / SIDE



NOK
Forbidden position

or VERTICAL



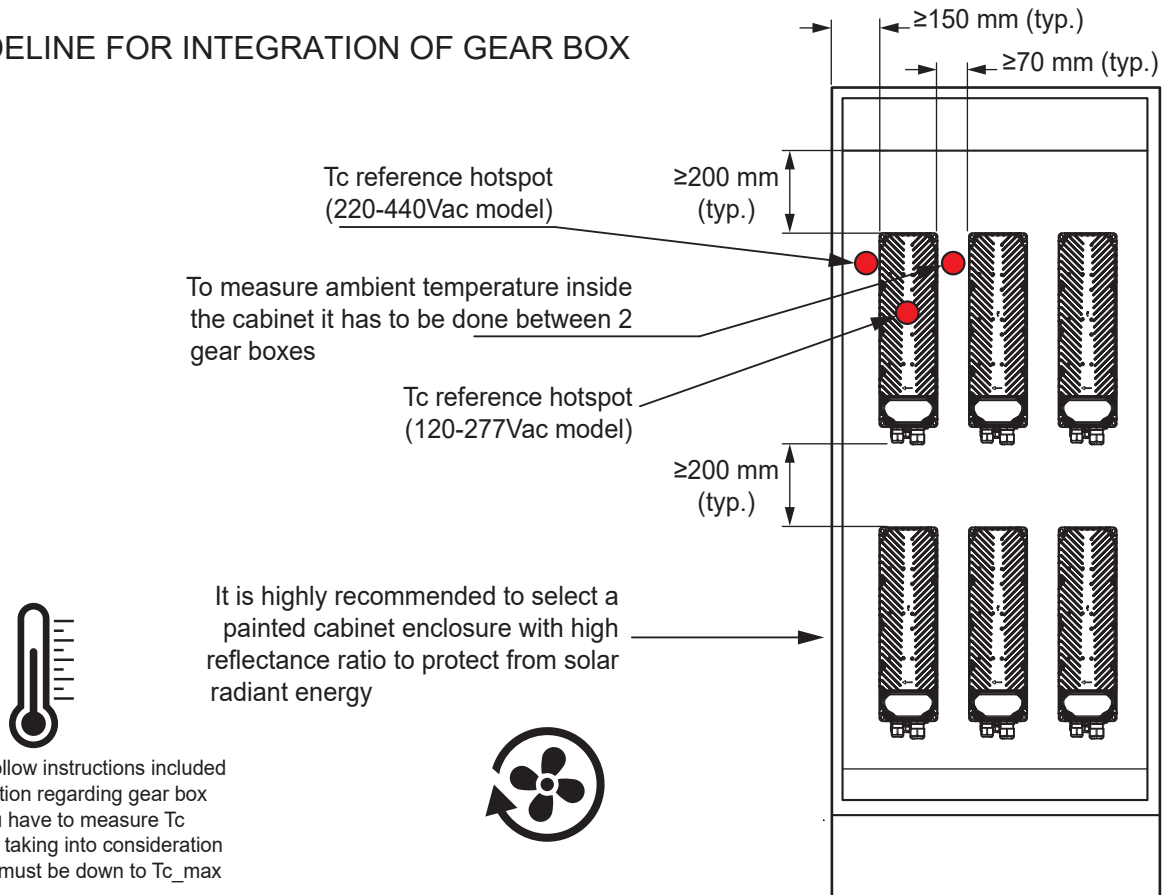
GEAR BOX 264L / 200-440Vac models

V in Nominal	Inrush Current Data		# Drivers for each Circuit Breaker											
	I peak (A)	Half Value Time (μs)	Type B 10A	Type B 16A	Type B 20A	Type B 25A	Type C 10A	Type C 16A	Type C 20A	Type C 25A	Type D 10A	Type D 16A	Type D 20A	Type D 25A
230Vac	29	2000	1	1	2	2	1	2	3	4	1	2	3	4
400Vac	50	2000	0	1	1	1	1	1	2	3	2	3	4	5

V in Nominal	Inrush Current Data		# Drivers for each Circuit Breaker											
	I peak (A)	Half Value Time (μs)	Type B 32A	Type B 40A	Type B 50A	Type B 63A	Type C 32A	Type C 40A	Type C 50A	Type C 63A	Type D 32A	Type D 40A	Type D 50A	Type D 63A
230Vac	29	2000	4	6	7	9	5	6	8	10	5	6	8	10
400Vac	50	2000	2	3	4	5	5	7	9	11	8	10	13	17

9

GUIDELINE FOR INTEGRATION OF GEAR BOX



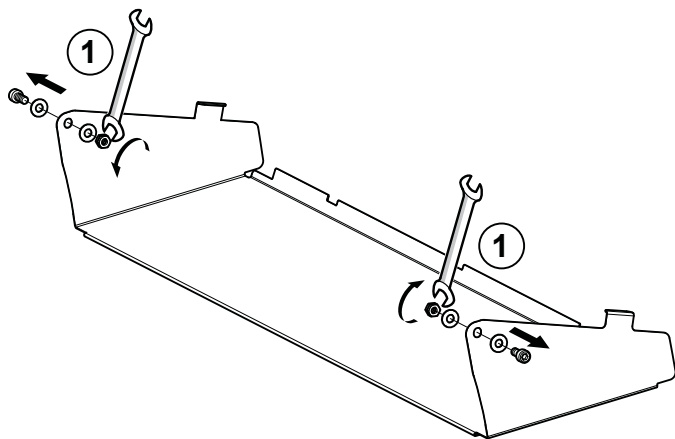
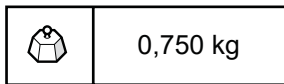
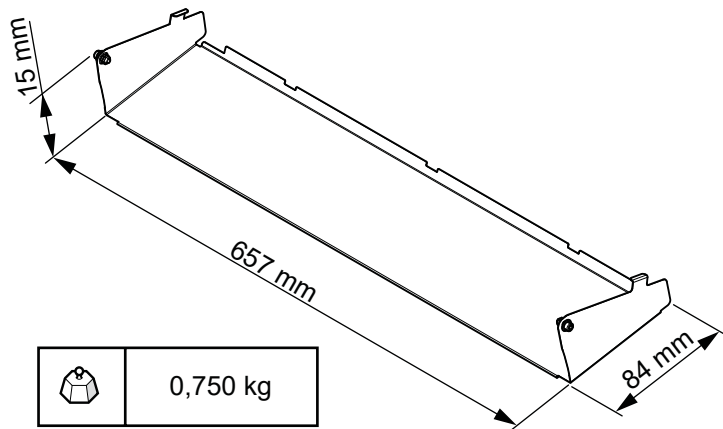
If you cannot follow instructions included in previous section regarding gear box integration, you have to measure Tc reference point taking into consideration that measures must be down to Tc_max

264L (1000W - 220-400Vac)

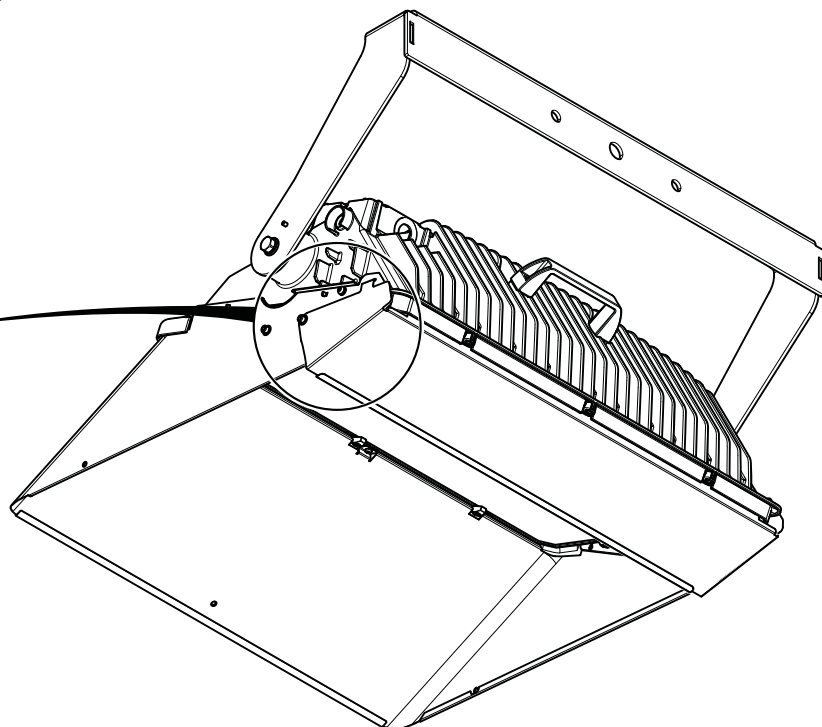
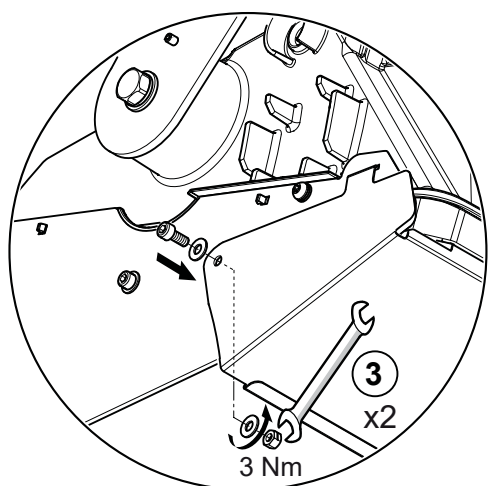
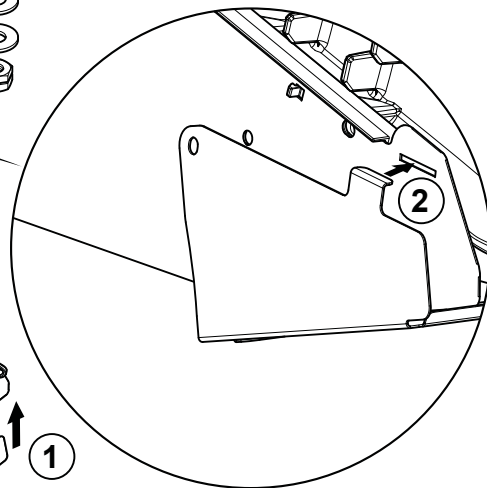
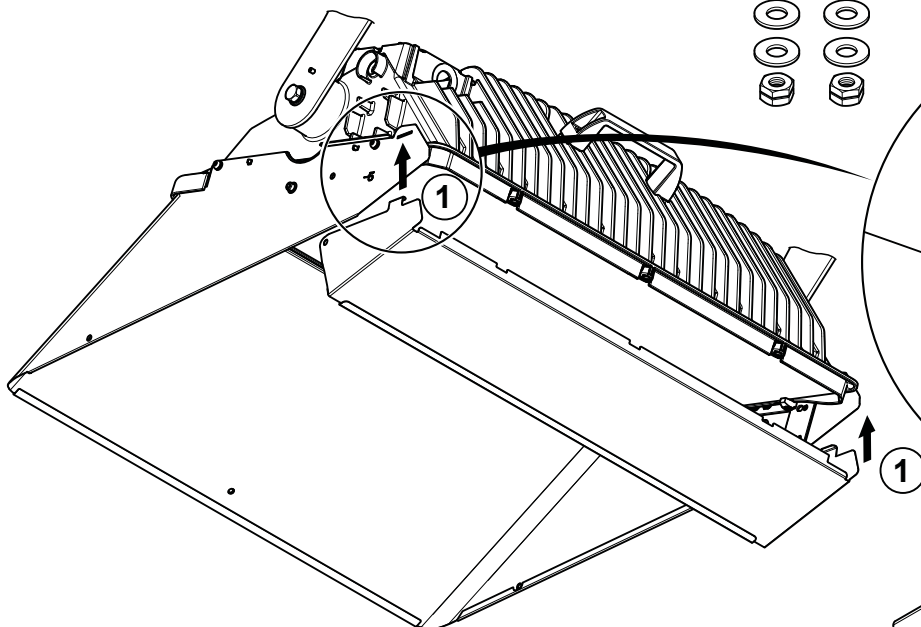
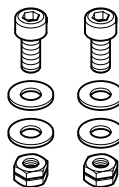
Tc Reference at Max Ambient			
Position	Horizontal	Vertical	Side
Mounting			
230Vac	76°C	75°C	76°C
400Vac	64°C	62°C	63°C
Ambient Max	45°C	45°C	45°C

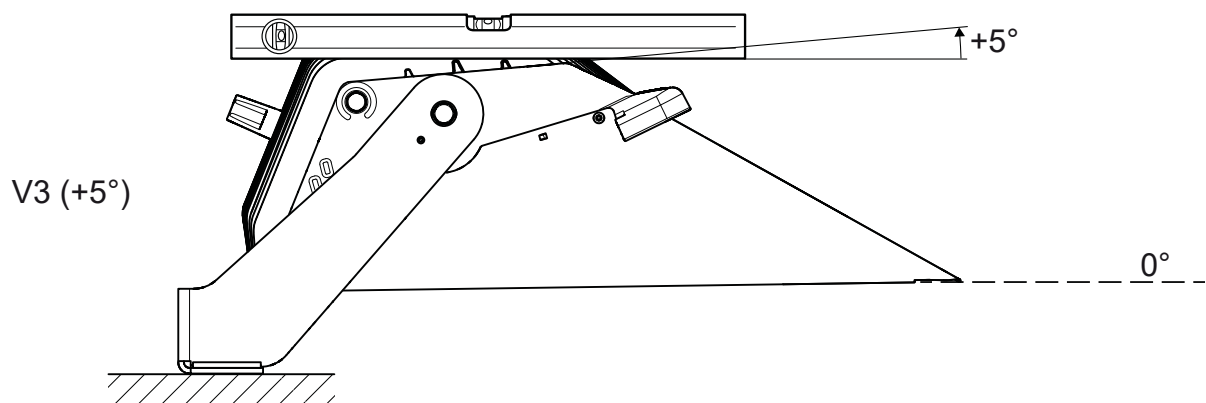
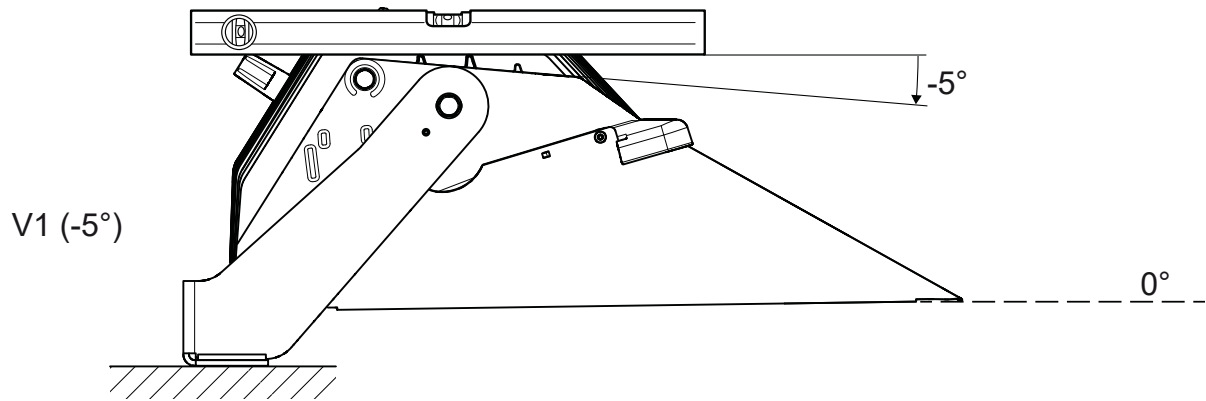
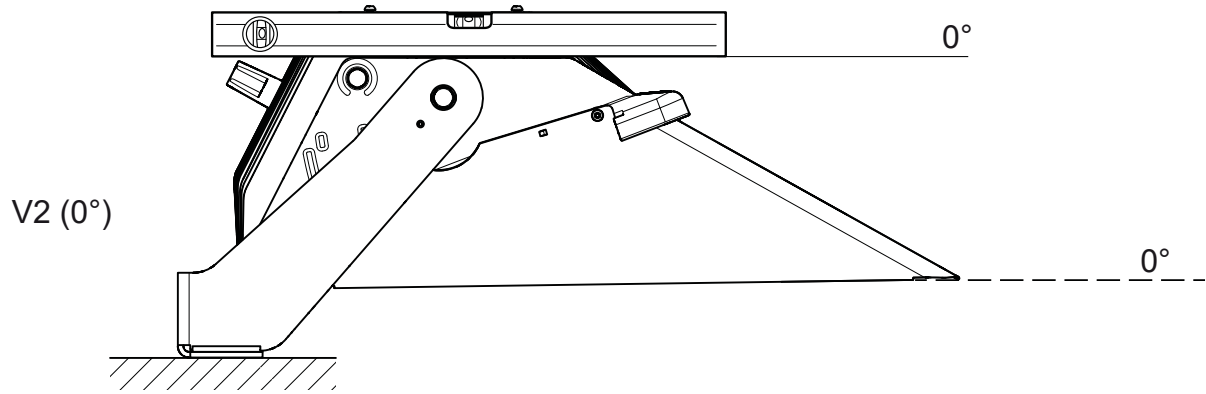
10

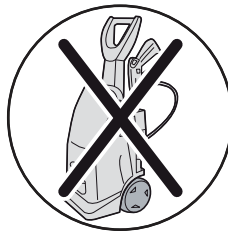
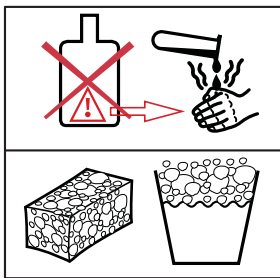
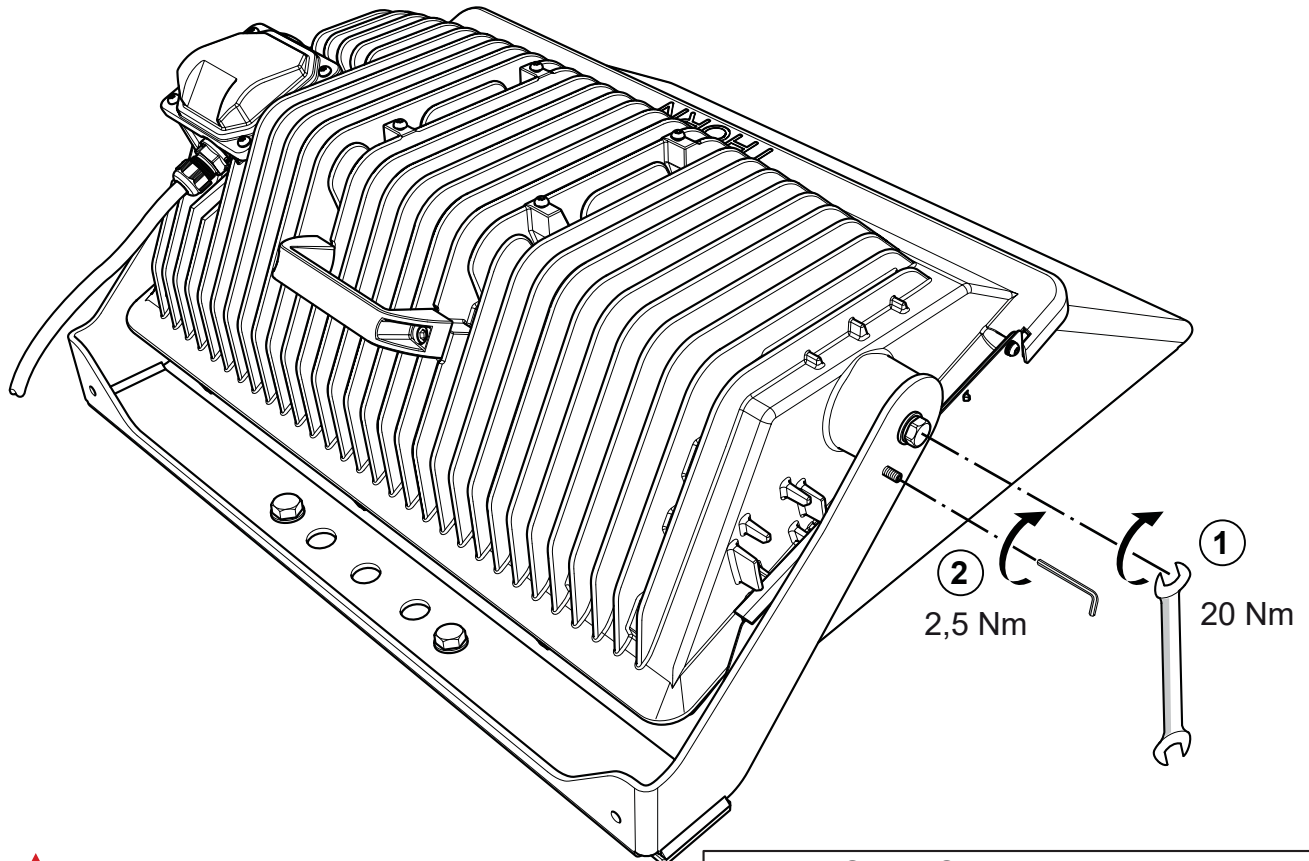
BSC VERSION



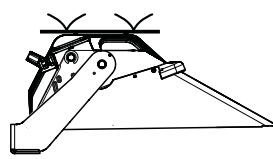
11



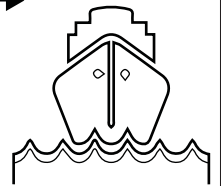




BIRD SPIKES
MANDATORY
96633431



<5 km

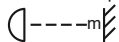


FRANCAIS

- Remplacer toute protection fissurée.
- Les luminaires classe II doivent être installés de façon à ce que la partie métallique ne soit pas en contact avec l'installation électrique connectée à la terre.

ATTENTION: Les luminaires classe I doivent être reliés à la terre.

- Ce luminaire fonctionne à une tension nominale qui doit être coupée avant toute intervention sur l'appareillage.
- Toute modification de cet appareil est interdite.
- Respecter la distance minimale par rapport aux objets éclairés définie par ce sigle.

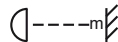


SVERIGE

- Ersätta alla spräckta skyddsplåtar.
- Klass II armaturer måste installeras så att nakna metalldelar i armaturen inte är i kontakt med någon elektrisk installation, kopplad till en skyddledare.

VARNING: Klass I armaturer måste vara jordade.

- Denna armatur fungerar med högspänning som måste vara fränslagen före ingripande i driftöden.
- Alla ändringar i denna armatur är förbjuden.

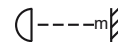


ITALIANO

- Sostituire sempre tutte le protezioni danneggiate.
- Gli apparecchi in classe II devono essere installati in modo che le parti metalliche non siano in contatto con apparati elettrici collegati a terra.

ATTENZIONE: Gli apparecchi in class I devono essere collegati a terra.

- Questo apparecchio funziona a tensione nominale, questa deve essere interrotta prima di ogni intervento sul gruppo di alimentazione.
- Ogni modifica dell'apparecchio è proibita.

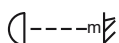


ENGLISH

- Replace any cracked protective shield.
- Class II luminaires must be installed so that exposed metal work of the luminaire is not in contact with any part of the electrical installation connected to a protective conductor.

WARNING: Class I luminaires must be earthed.

- This luminaire operates at mains voltage which must be switched off before intervention in control gear.
- Any modification to this luminaire is forbidden.
- Lighted objects nearer than the minimal distance in the is forbidden.

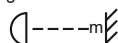


DEUTSCH

- Ersetze jede gebrochene Schutzscheibe.
- Schutzklasse II Leuchten müssen so installiert werden, daß berührbare Metallteile nicht mit einem, an dem Schutzleiter angeschlossenen Teil der elektrischen Installation in Kontakt kommen können.

ACHTUNG: Schutzklasse I Leuchten müssen geerdet sein.

- Diese Leuchte wird mit Netzspannung betrieben. Bevor Eingriffe am Vorschaltgerät vorgenommen werden sowie vor Wartung und Installation, ist die Versorgungsspannung abzuschalten.
- Jede Änderung an dieser Leuchte ist verboten.



SUOMI

- Rikkoontunut suojalasi vaihdettava välittömästi uutsen vastaavaan.
- Asennettaessa suojausluokan II valaisinta on peruseristetyin johdon ja kosketeltävien metalliosien välinen kosketus tehokkaasti eristettävä.

VAROITUS: Suojausluokan I valaisin täytyy maadoittaa.

- Verkköjännite on kytkettävä pois ennen valaisimen huoltotoimenpiteitä.
- Valaisimen rakennetta ei saa muuttaa.

